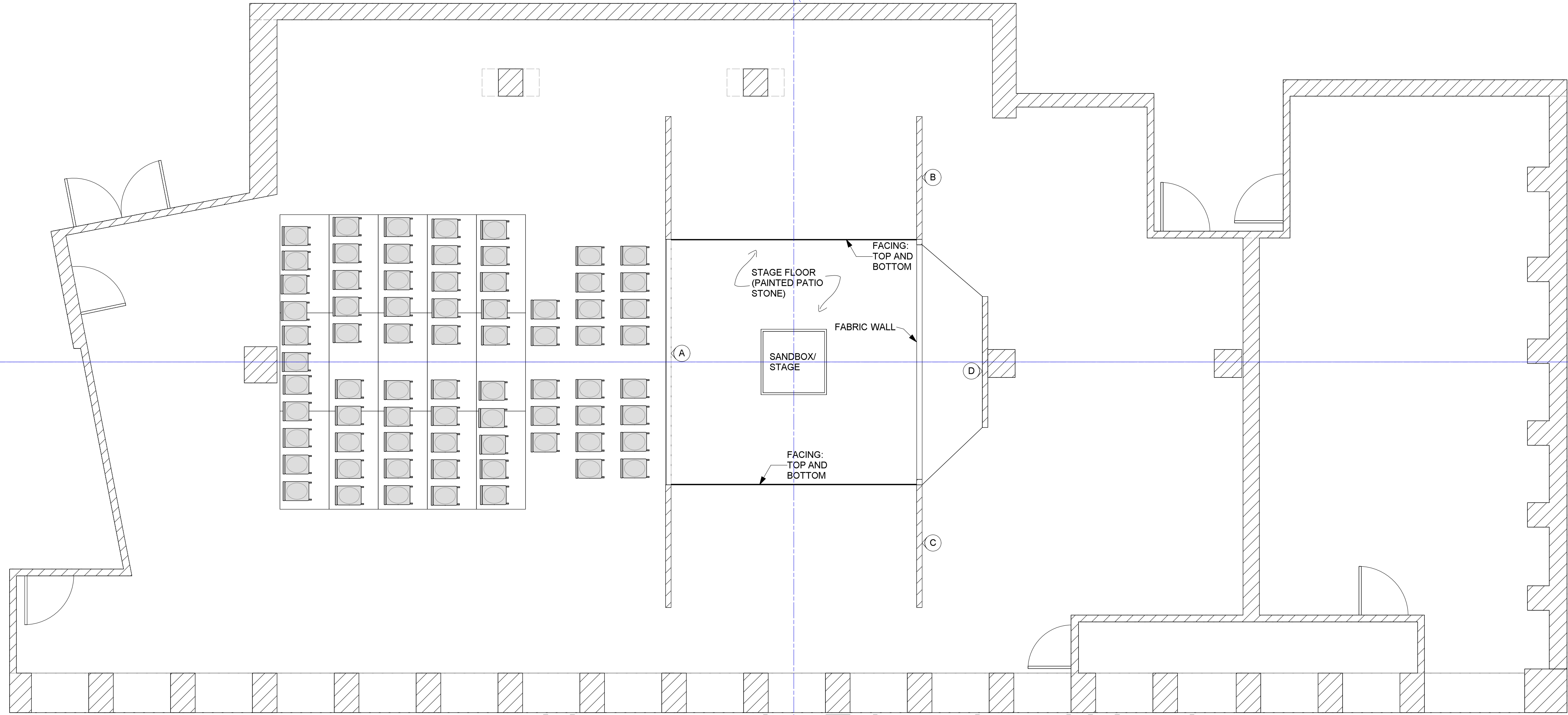
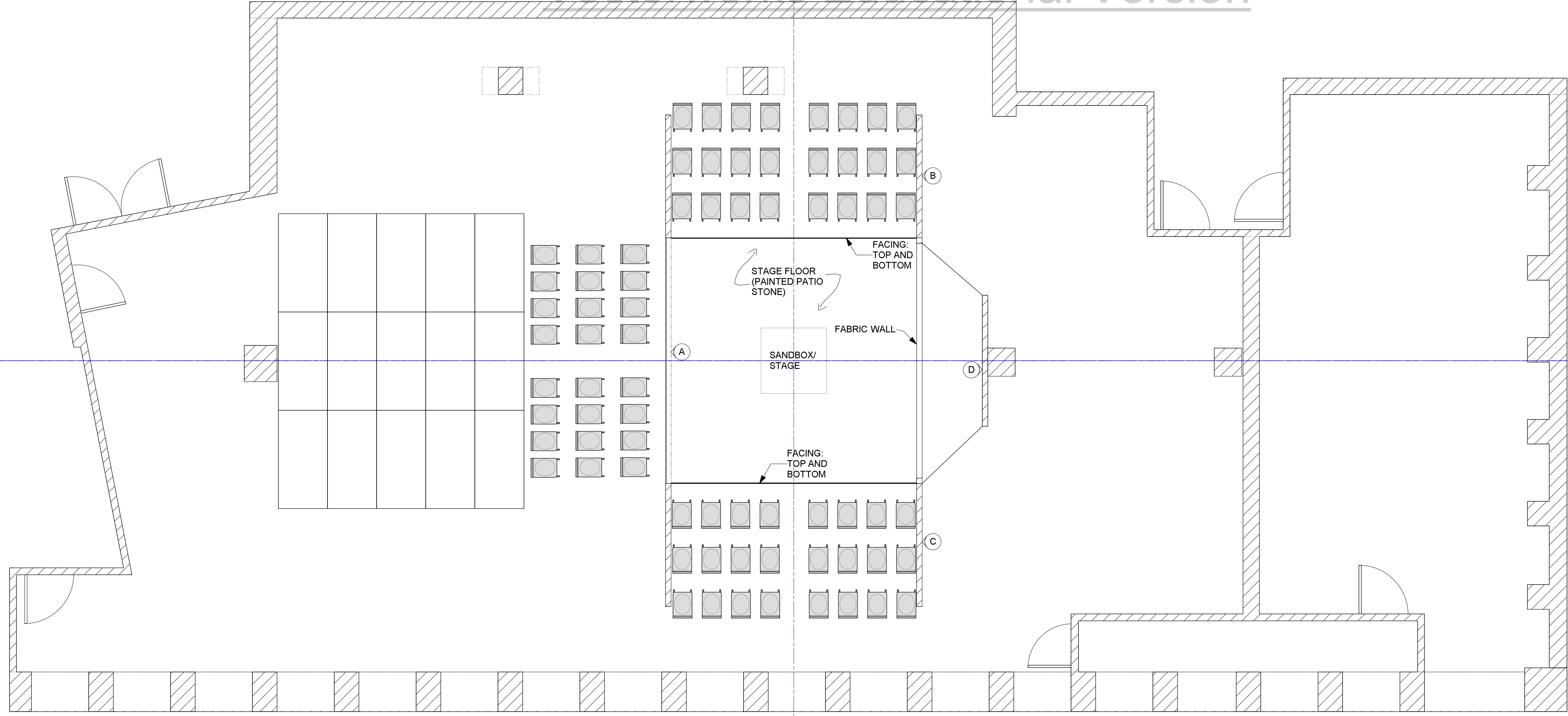


1
2

3
2

2
2

4
2



AUDIENCE SET UP FOR "ANTHISTAMINE" AND "BOXED: A BLACK SHOW"

AUDIENCE SET UP FOR "SUMMER" AND "MAKE 'EM CRY UNCLE"

Designer/Contact Information:
 RACHAEL GRAN
 RGRAN@UARTS.EDU
 215-531-1849

Drawn By: RACHAEL GRAN
 Revision Date: 1-10-2019

NOTES:
 FABRIC WALL HAS OPENING IN CENTER
 WALL D SERVES TO BLOCK VISION
 BEYOND THIS OPENING
 RAISED STAGE/SANDBOX IS
 MOVEABLE UNIT

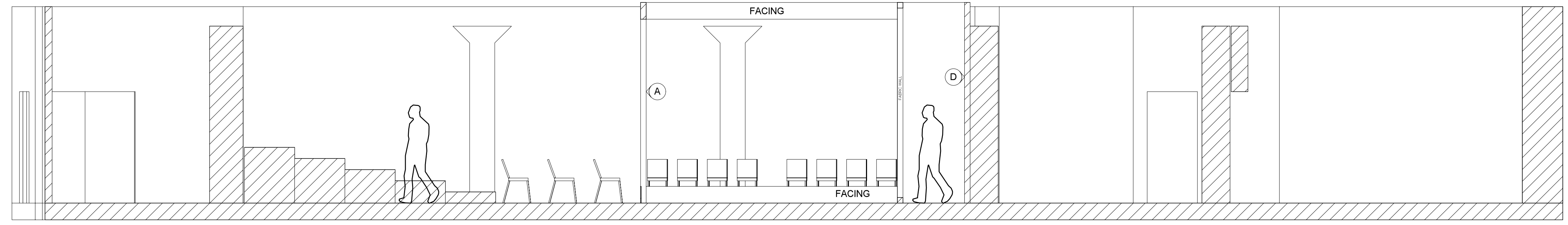
Project:
EQUINOX 2019

Date:
 1-1-2019

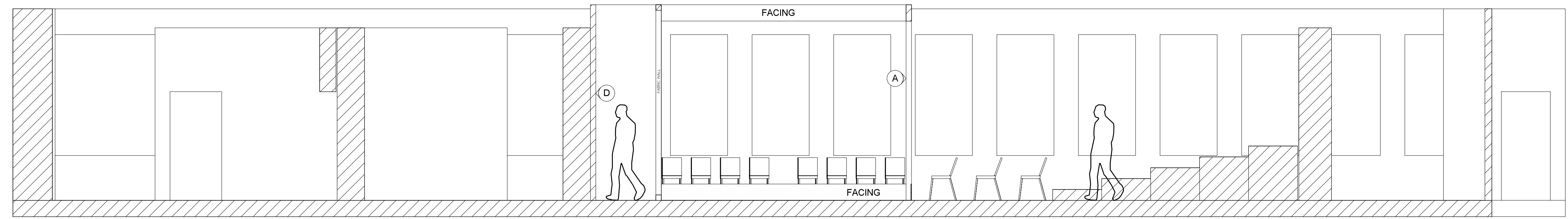
Scale:
 1/4" = 1'

Sheet:
 1
 OF
 4

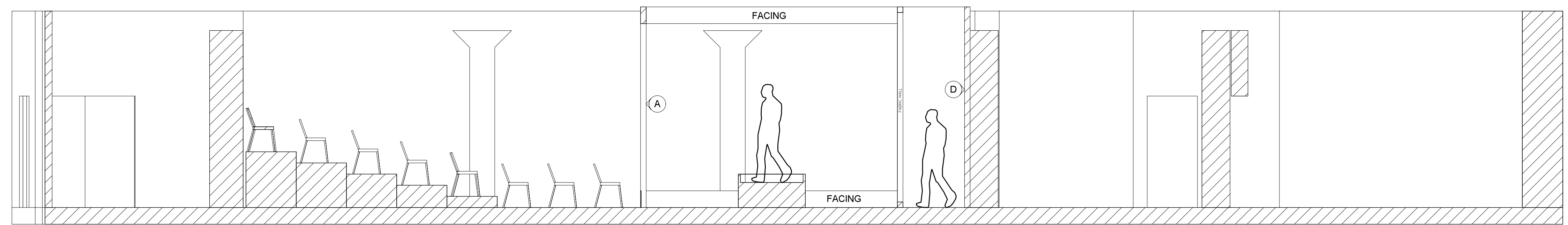
Producer:
GROUNDPLANS



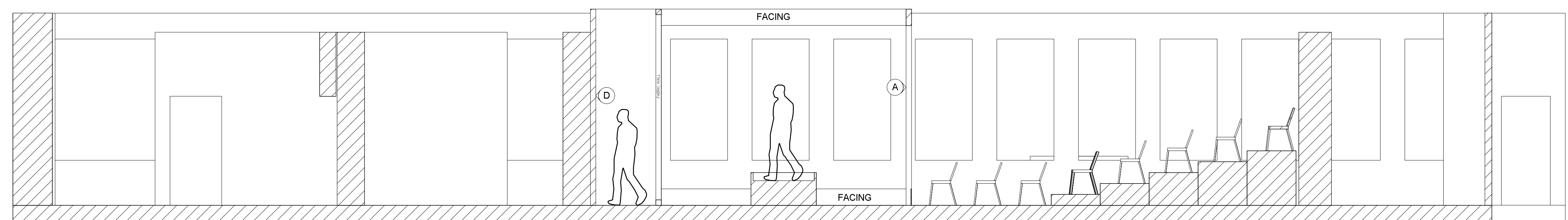
ANTIHISTAMINE AND BOXED LOOKING SR



ANTIHISTAMINE AND BOXED LOOKING SL



SUMMER AND UNCLE LOOKING SR



SUMMER AND UNCLE LOOKING SL

Designer/Contact Information:

RACHAEL GRAN
RGRAN@UARTS.EDU
215-531-1849

Drawn By: RACHAEL GRAN
Revision Date: 1-10-2019

NOTES:

FABRIC WALL HAS OPENING IN CENTER
WALL D SERVES TO BLOCK VISION
BEYOND THIS OPENING
RAISED STAGE/SANDBOX IS
MOVEABLE UNIT

Project:

EQUINOX 2019

Producer:

SECTIONS

Date:

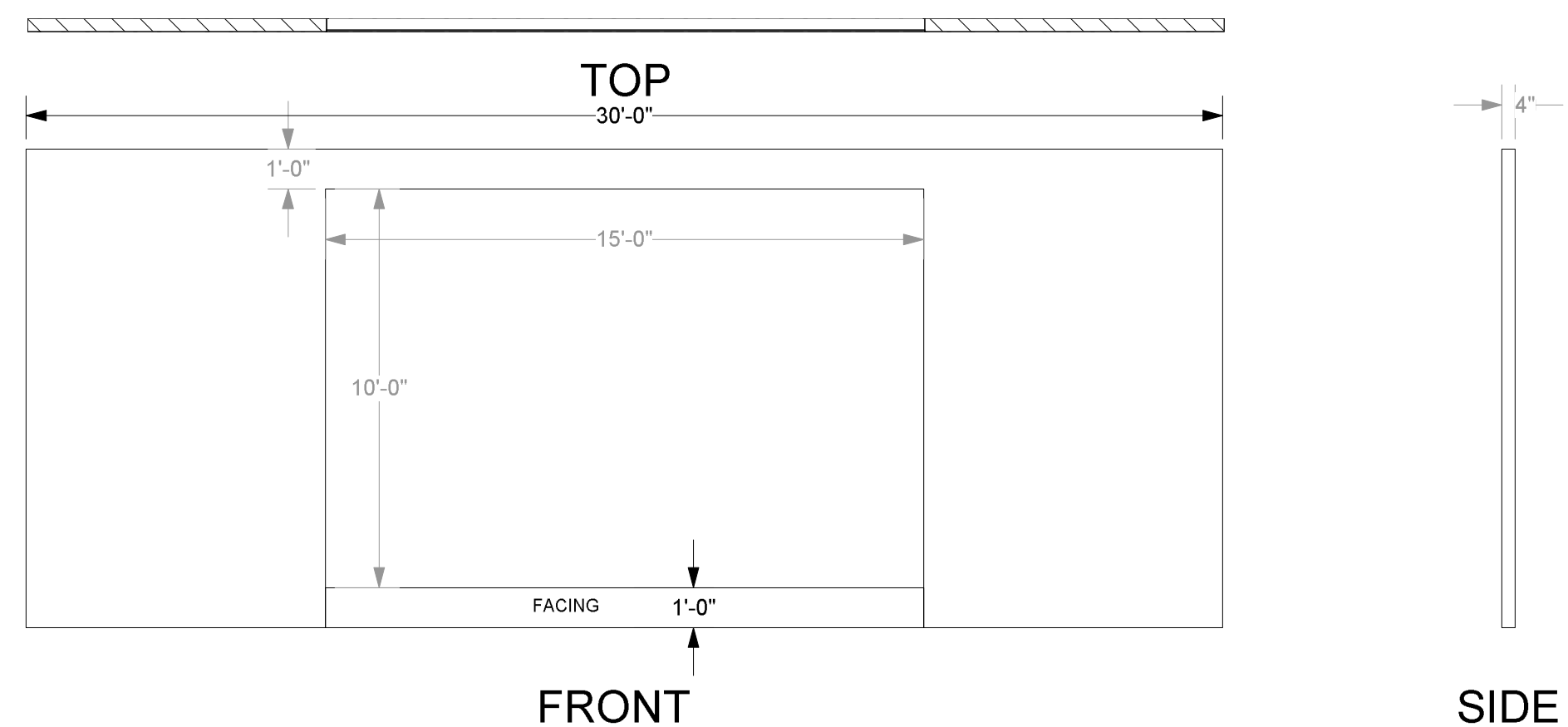
1/1/2019

Scale:

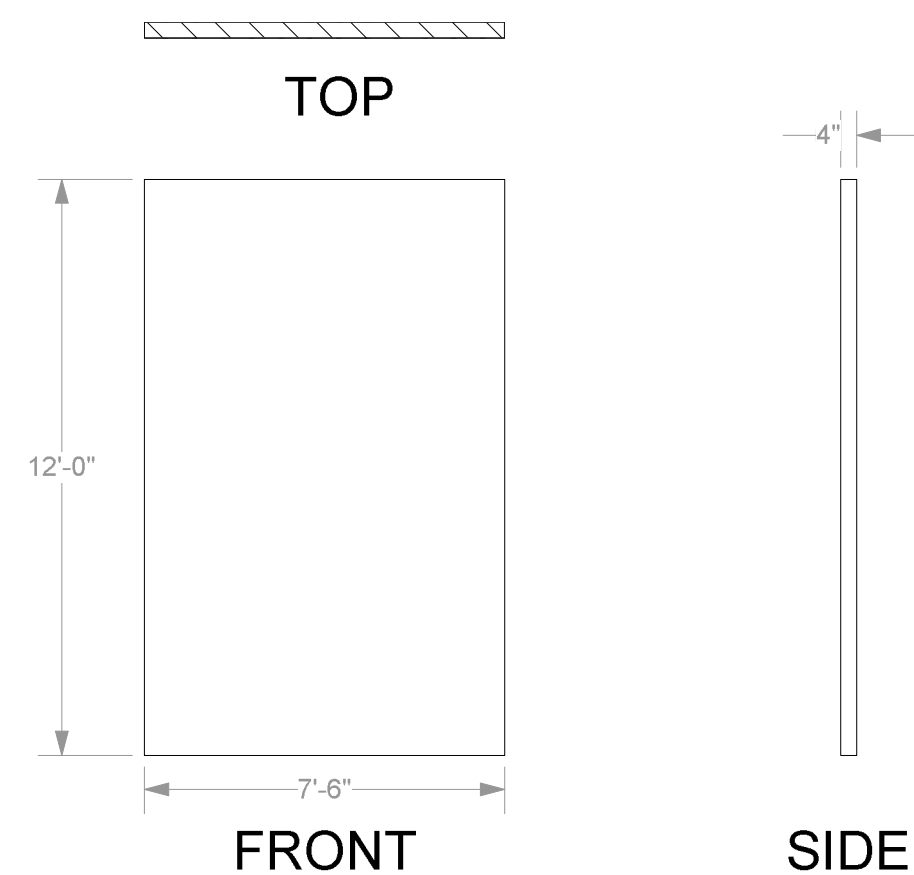
1/4"=1'

Sheet:

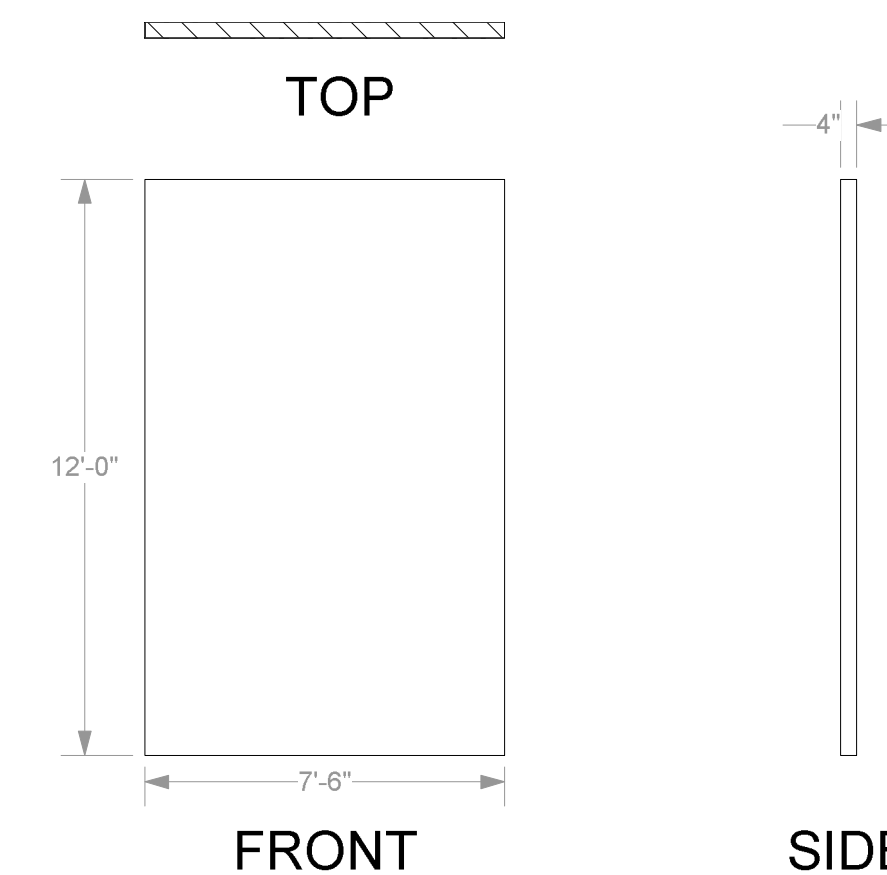
2
OF
4



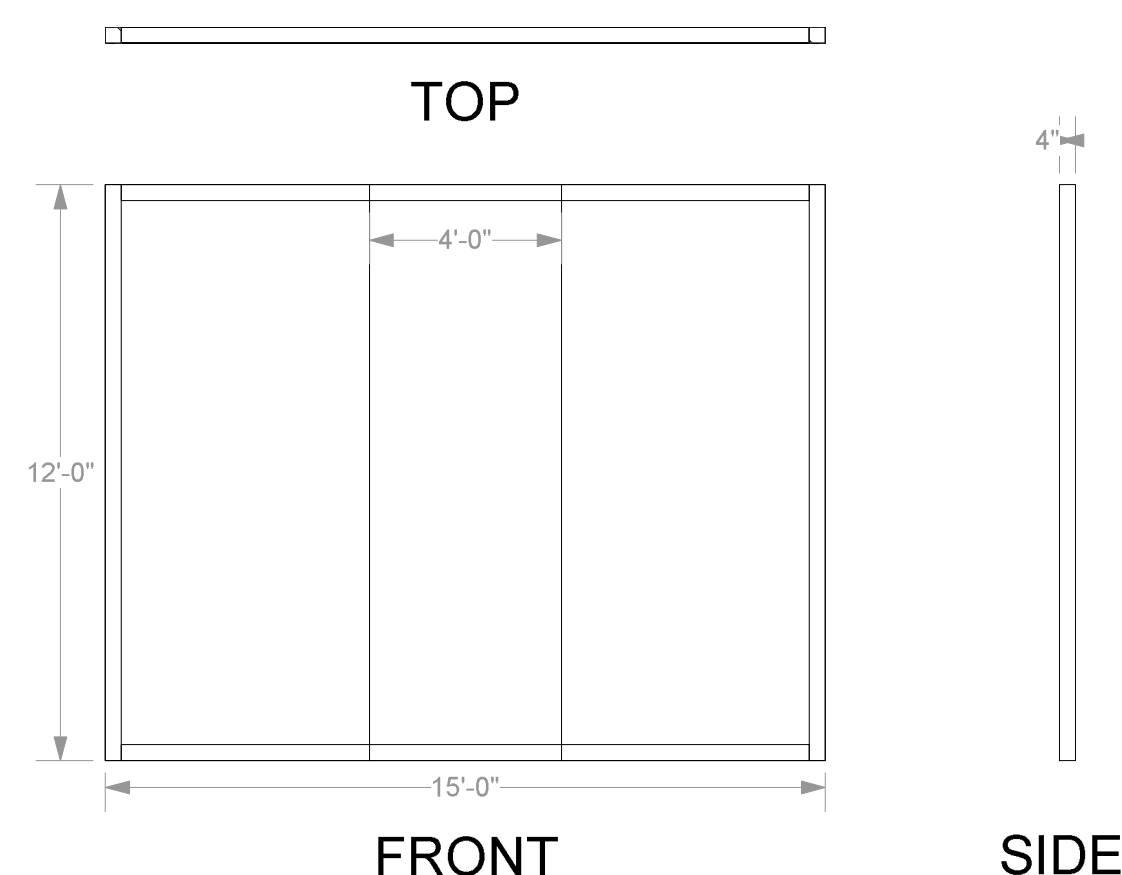
WALL A



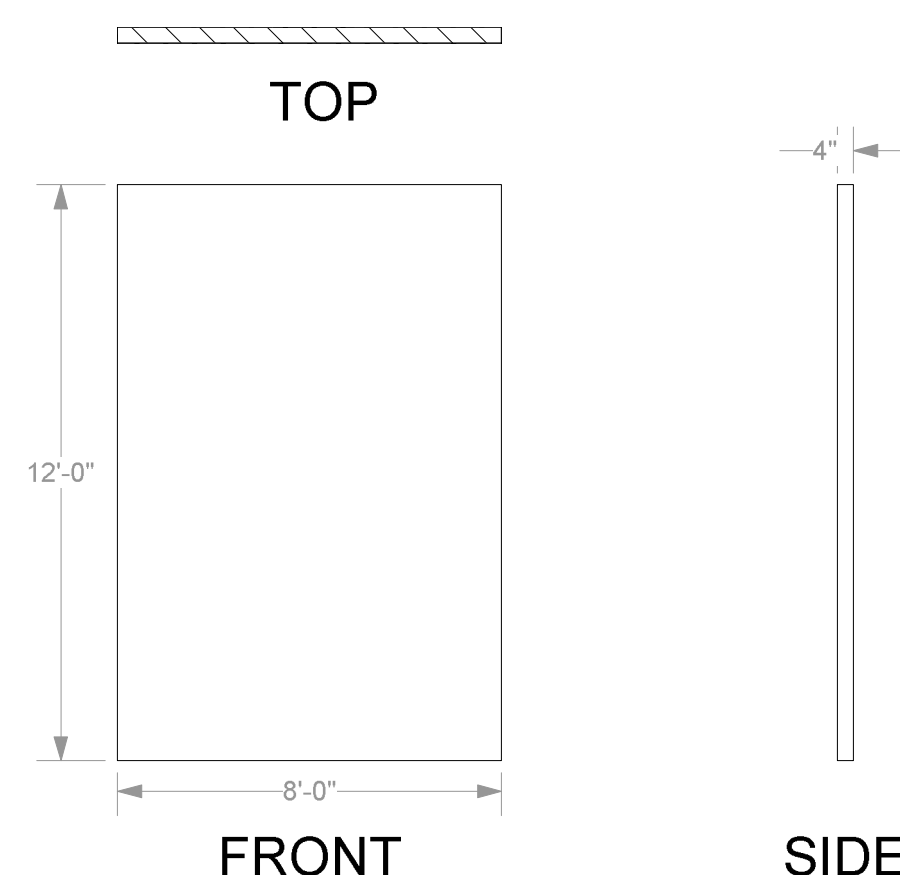
WALL B



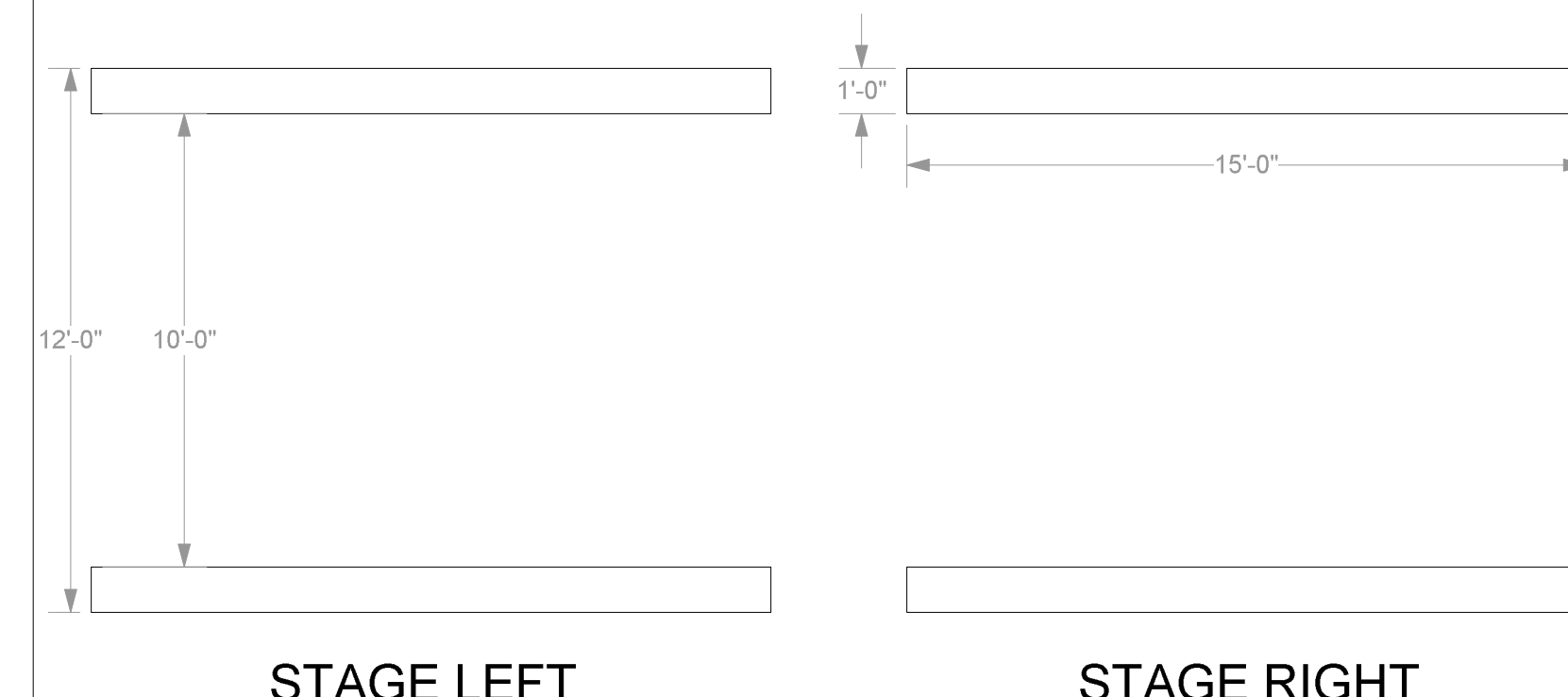
WALL C



FABRIC WALL



WALL D

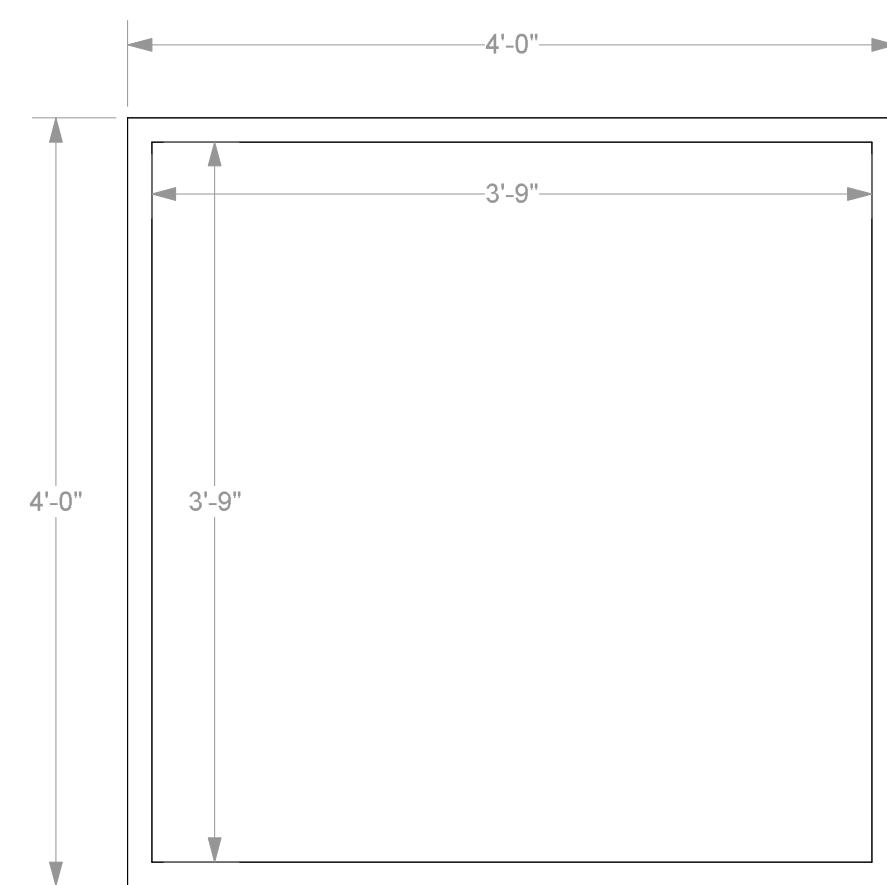


FACING BORDERS

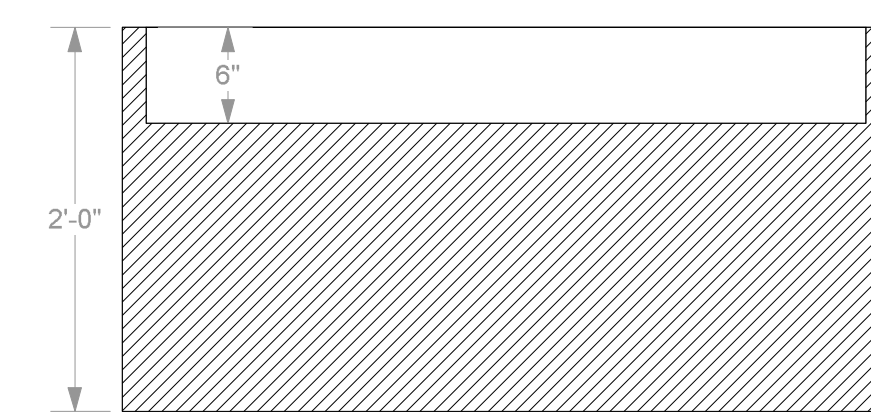


REFERENCE IMAGES FOR WALLS A, B, C, AND FACING BORDERS

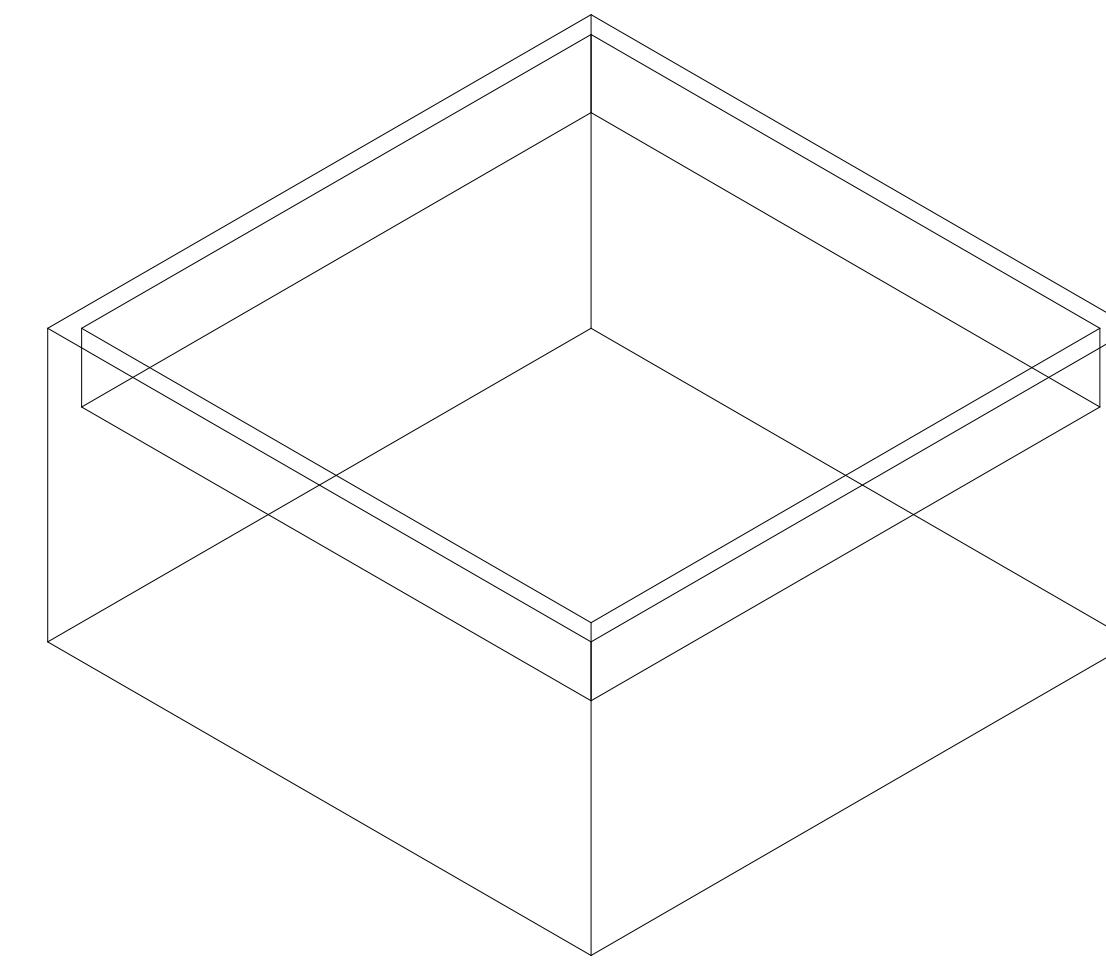
IMAGES NOT TO SCALE



TOP VIEW



SECTION VIEW



PERSPECTIVE

SCALE OF SANDBOX/RAISED STAGE: 1"=1'

SANDBOX/RAISED STAGE

Designer/Contact Information:

RACHAEL GRAN
RGRAN@UARTS.EDU
215-531-1849

Drawn By: RACHAEL GRAN
Revision Date: 1-10-2019

NOTES:

- RAISED STAGE/SANDBOX IS MOVEABLE UNIT
- WALL A, B, C, AND FACINGS HAVE COLLAGE OF MATERIAL TREATMENT (WOULD LIKE THE SIDING AND WOODEN BOARDS TO BE REAL AND STICK OUT OF WALL BOUNDARIES)
- REFERENCE IMAGES ATTACHED
- WALL A AND FACINGS HAVE THIS ON BOTH SIDES
- FABRIC WALL AND WALL D PAINTED LIKE PALE TAN CONCRETE. THIS IS OUR PROJECTION SURFACE AND CAN BE BACKLIT
- ALL OF THE STRIP 1'X15' FACING IS REMOVABLE.

Project:

EQUINOX 2019

Date:

1-1-2019

Scale:

1/4"=1'

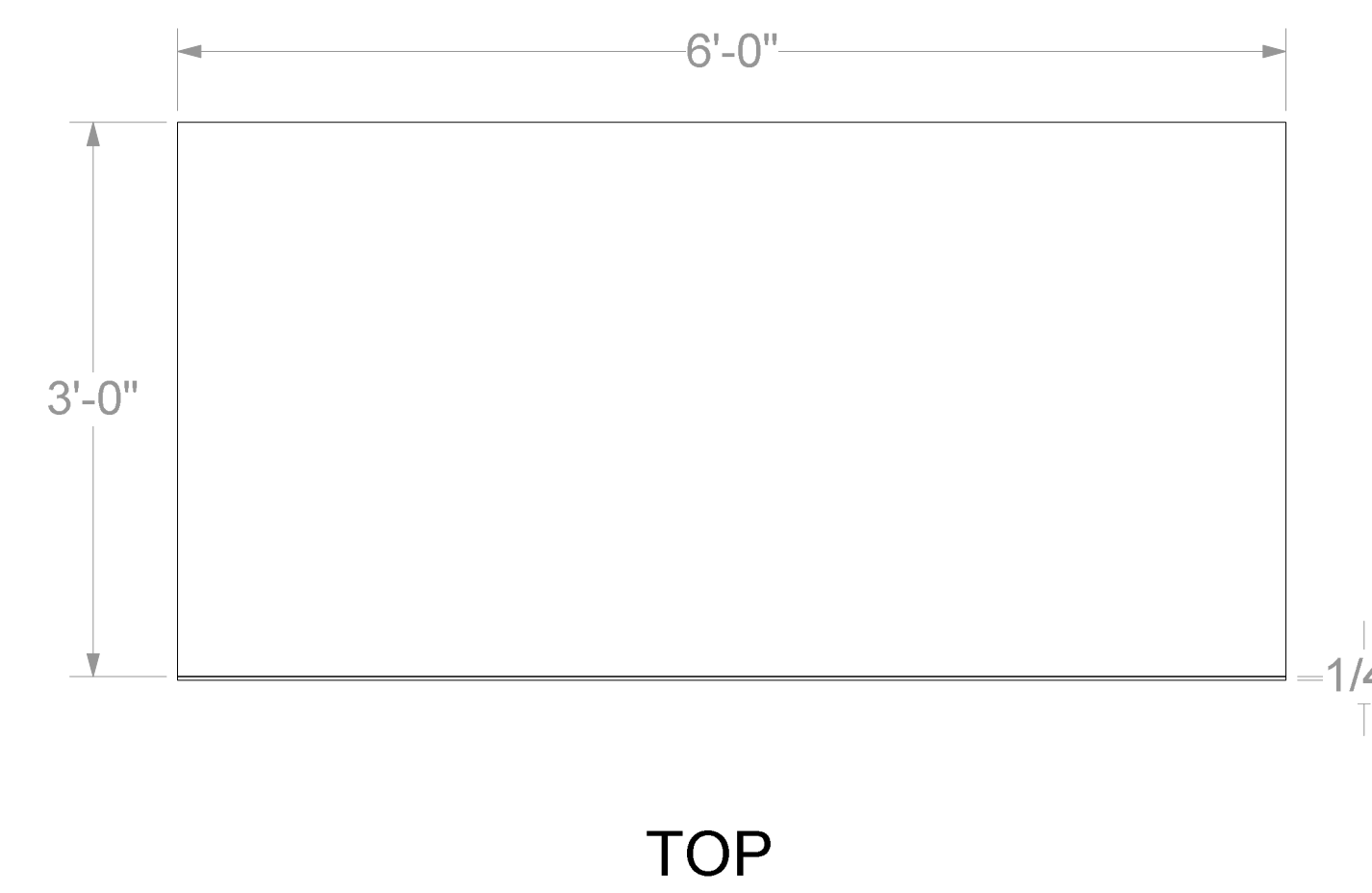
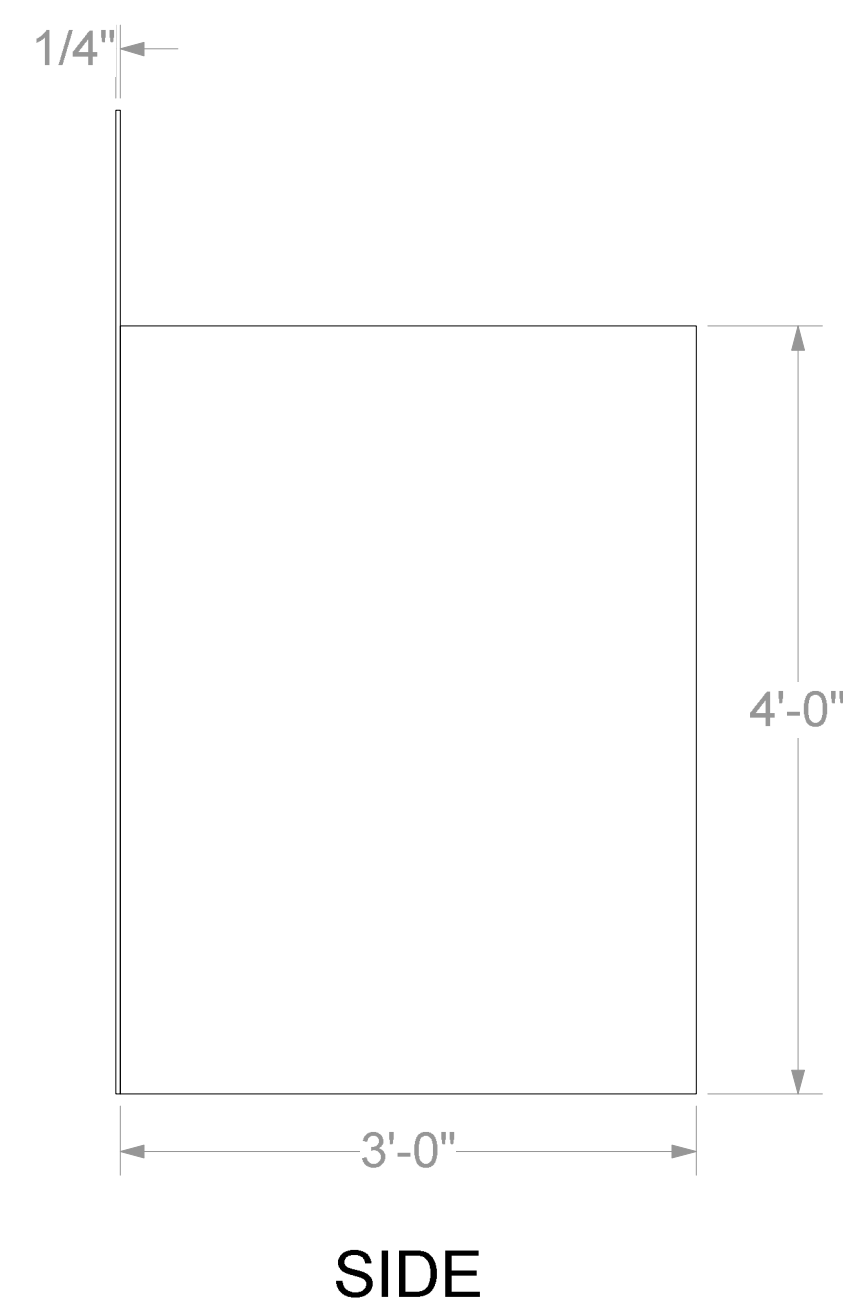
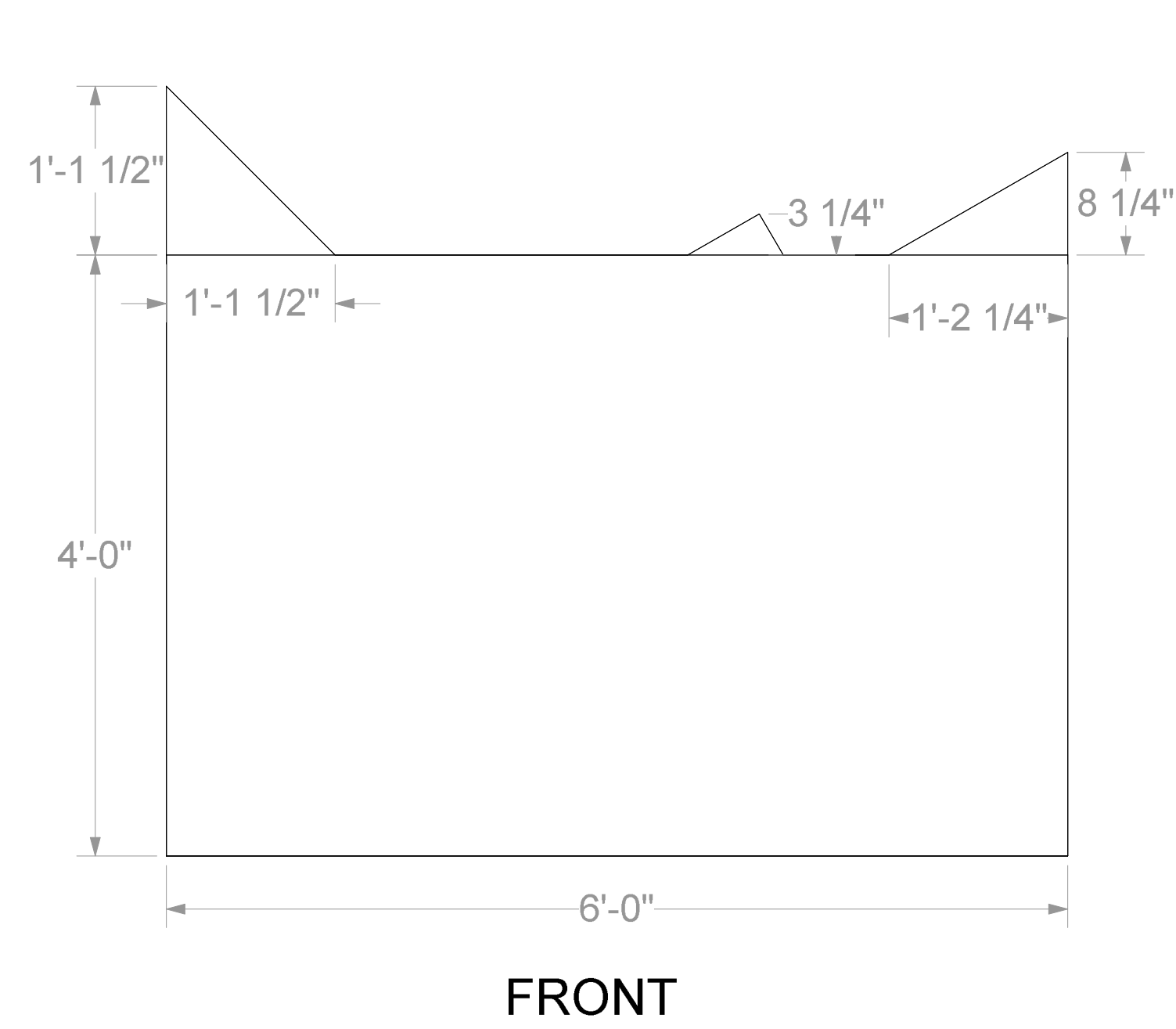
Sheet:

3 OF 4

Producer:

Purpose:

ELEVATIONS



JURY BOX

Designer/Contact Information:

RACHAEL GRAN
RGRAN@UARTS.EDU
215-531-1849

Drawn By: RACHAEL GRAN
Revision Date:

NOTES:

FACINGS ARE TREATED WITH SAME
PAINT COLLAGE OF MATERIALS AS
THE WALLS

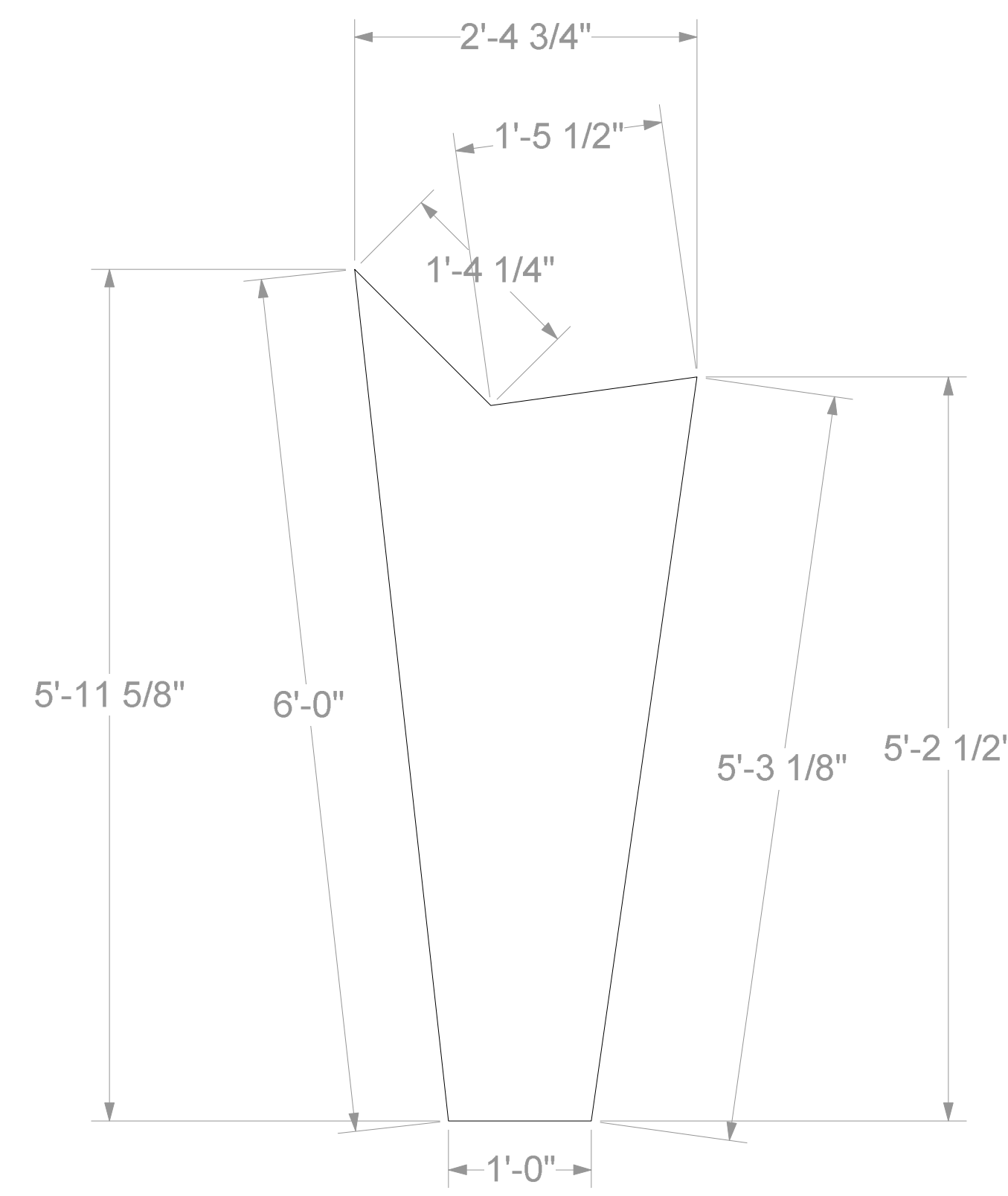
PODIUM IS EXISTING WITH ADDED
FACING

JURY BOX IS HOLLOW BOX WITH
FACING ON FRONT AND SIDES. OPEN
AT THE BACK FOR OPERATION



IMAGES NOT TO SCALE

REFERENCE IMAGES
FOR THE TREATMENT
OF THE FACINGS



Project:

EQUINOX 2019

Producer:

UNCLE COURTROOM

Date:

1-10-2019

Scale:

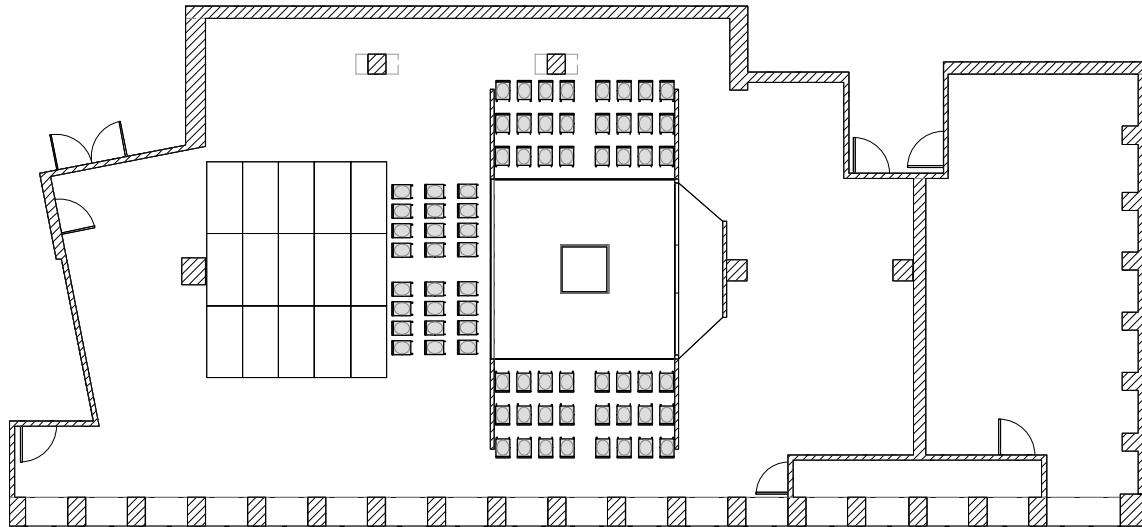
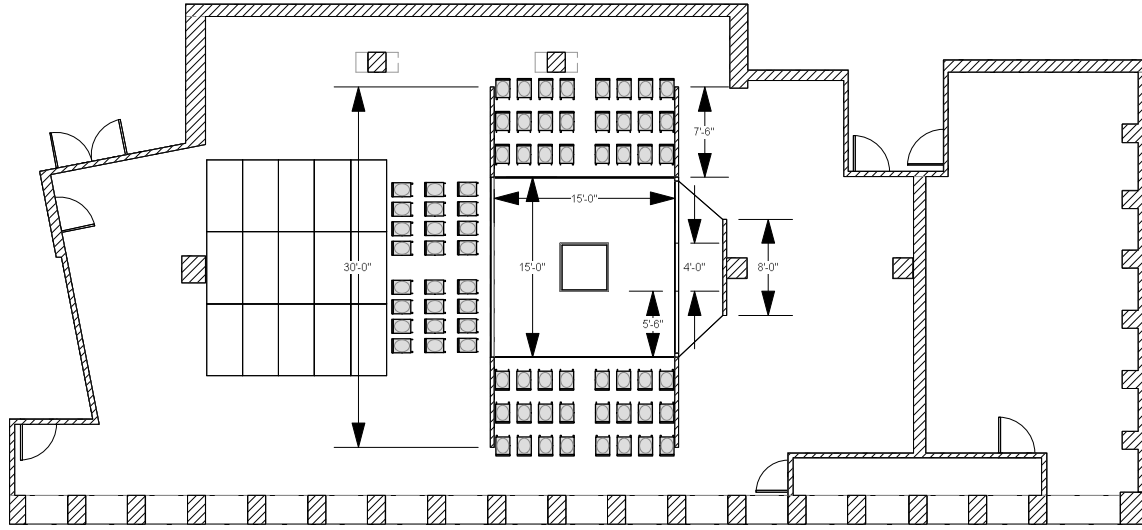
1"=1'

Sheet:

4
OF
4

SCALE: 1/16"=1'

Vectorworks Educational Version



Vectorworks Educational Version

SCALE: 1/16"=1'

